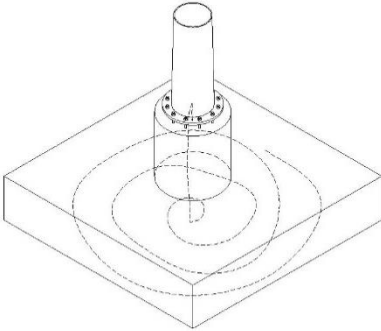
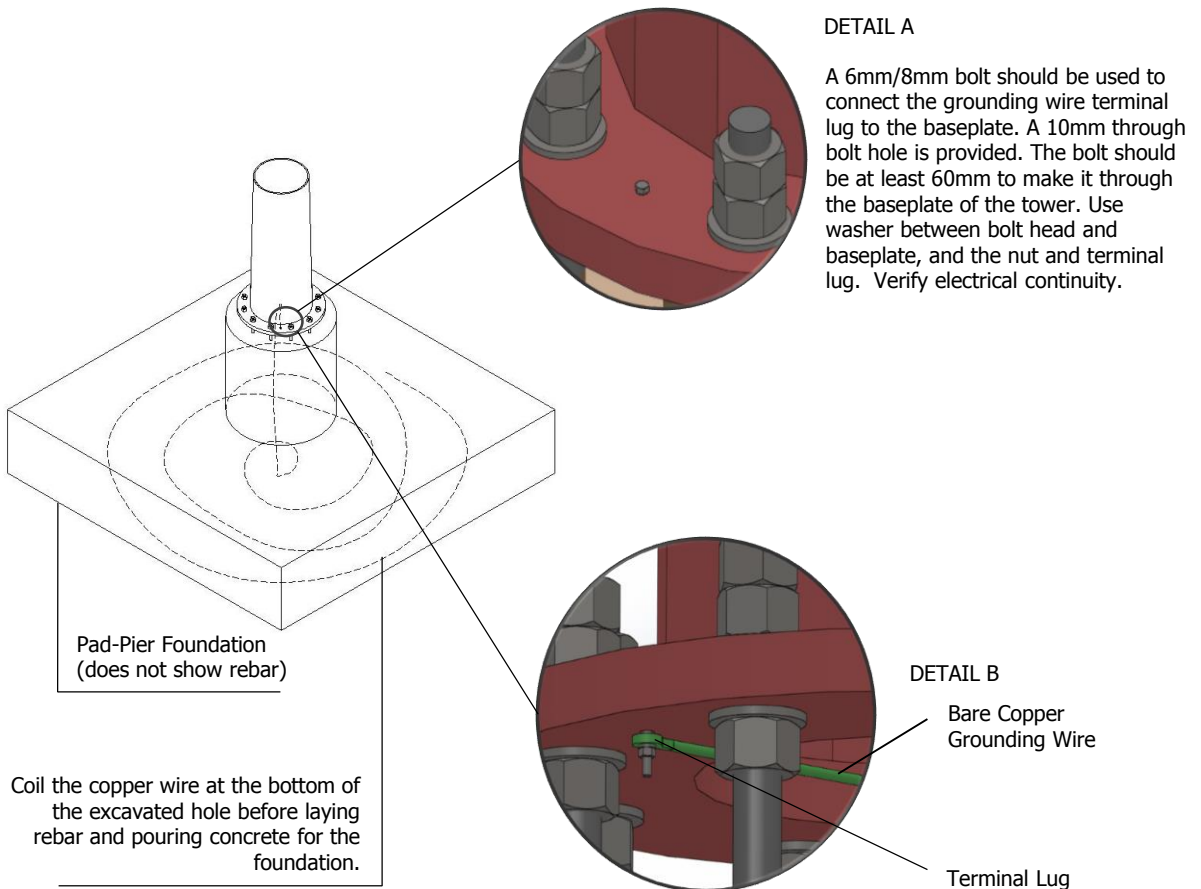


Tower Grounding



Tower Grounding



Notes:

- This tower grounding method is compliant per NEC 250.52 "Concrete-Encased Electrode"
- Prior to purchasing materials, check with local officials to ensure this method will be accepted
- The diameter of bare solid copper grounding wire should at a minimum be 5.5mm or 4 AWG
- The length of bare solid copper grounding wire must be 15m or longer
**Make sure the copper wire is long enough to reach the baseplate of the tower prior to pouring concrete*
- Using steel tie wire or other similar material, tie the copper wire to the rebar
- Terminal lug must work with 4 AWG or larger grounding wire and must be protected to prevent rusting or corrosion - galvanized, zinc coated, stainless steel, etc.
- Grounding method will also work for Mat/Pad Foundations